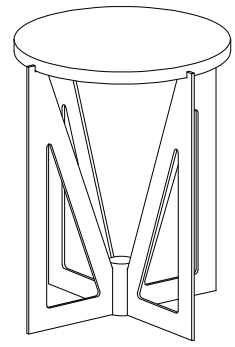
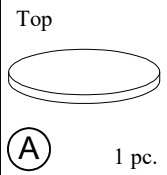


Warning :

- Be sure to check all packing material carefully for small parts, which may have come loose inside the carton during shipment.
- To prevent possible scratches and damage, this furniture **MUST BE ASSEMBLED BY TWO PEOPLE** on a soft surface such as a blanket or carpet.



Components packed with the # 51408 Top

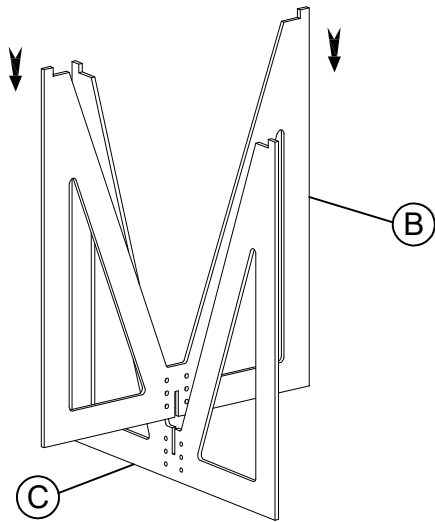


51408
Round End Table Glass Top
51410
Round End Table Base

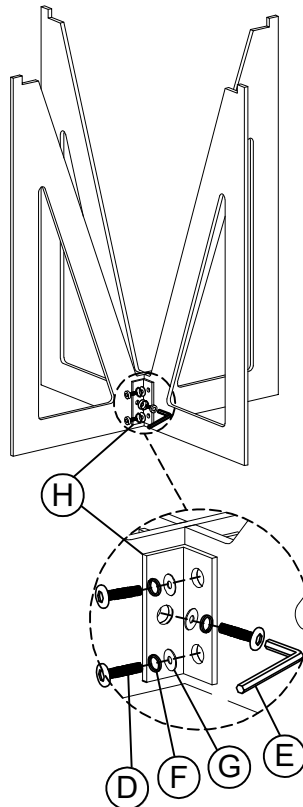
Components & Hardware packed with the # 51410 Base

Top Leg (B) 1 pc.	Bottom leg (C) 1 pc.	1/4-20 x 1/2" Allen Bolt (D) 12 pcs.	4mm Allen Key (E) 1 pc.	1/4" Lock Washer (F) 12 pcs.	1/4" Flat Washer (G) 12 pcs.	L-Bracket (H) 4 pcs.	Round Cap (I) 1 pc.
--------------------------	-----------------------------	---	--------------------------------	-------------------------------------	-------------------------------------	-----------------------------	----------------------------

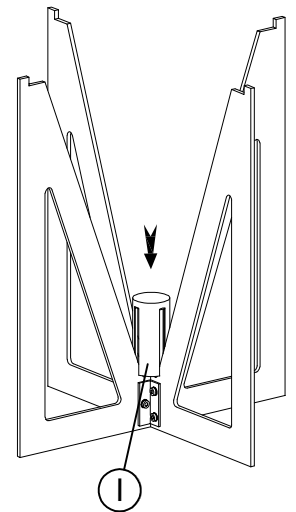
Step 1:



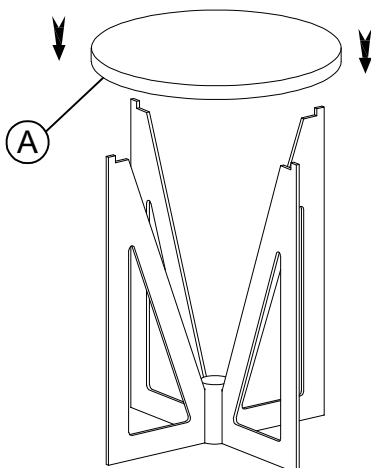
Step 2:



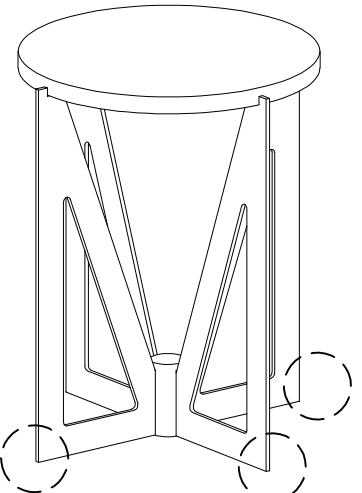
Step 3:



Step 4: Use smooth side of glass on top



Complete



Adjustable Leveler

